

Centrifugal pumps according to EN733

离心泵，符合EN733标准

Firefighting systems
General industry
Conditioning systems
Seawater applications

消防系统
工业水处理
空调系统
海洋工程



SNX AISI 316 stainless steel 316不锈钢材质



Maximum corrosion and wear proof

The microcasted AISI 316 stainless steel construction grants the maximum resistance to wear and corrosion even in the most challenging working contexts.

防腐性能高，耐磨

全316不锈钢精密铸造零件的无缝结构和厚度即使在最具挑战性的工作环境中也能提供最大的耐磨性和耐腐蚀性，使用寿命长。

General data - 基本数据

Capacity max. 最大流量		Head max. 最高扬程		Speed max. 最高转速	Power max. 最大功率
[m³/h] - 立方/小时	[US.gpm]	[m] - 米	[ft]	[min⁻¹]	[kW]
120	528	145	475	3500	54

SNE Cast iron 铸铁



Efficiency at the top of the market

Efficiencies up to 90% elevate to state of the art the pumping systems.

市场最高效率

整体效率高达90%

General data - 基本数据

Capacity max. 最大流量		Head max. 最高扬程		Speed max. 最高转速	Power max. 最大功率
[m³/h] - 立方/小时	[US.gpm]	[m] - 米	[ft]	[min⁻¹]	[kW]
1300	5720	150	492	3500	315

SNL Cast iron 铸铁



Robust design

Cast iron housing and impeller, front and rear wear rings, oversize bearings.

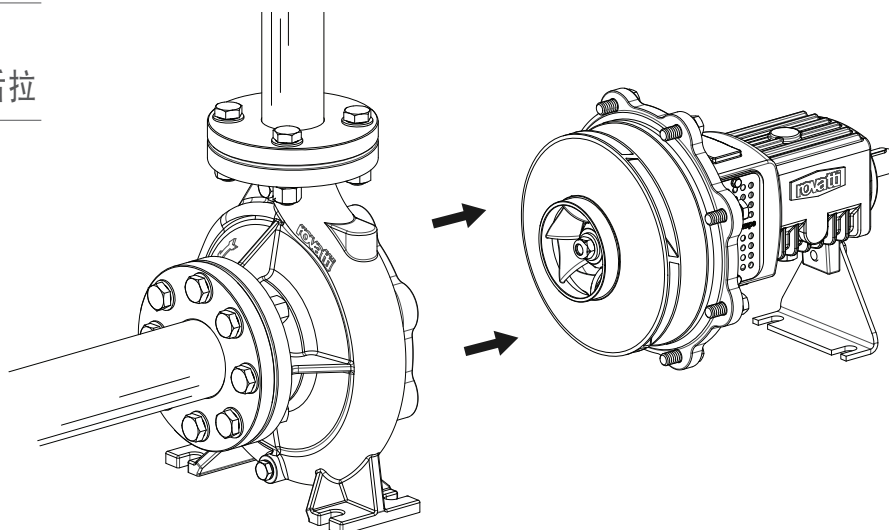
稳健设计

泵壳和叶轮铸造成型，前后耐磨环、超大轴承。

General data - 基本数据

Capacity max. 最大流量		Head max. 最高扬程		Speed max. 最高转速	Power max. 最大功率
[m³/h] - 立方/小时	[US.gpm]	[m] - 米	[ft]	[min⁻¹]	[kW]
320	1408	150	492	3500	130

BACK PULL-OUT 后拉



SNL, SNE ed SNX series comply with EN733 (DIN 24255) norms, mechanical seals comply with EN 12756 (DIN 24960) norms. Back pull-out design allows to perform hydraulic part maintenance without removing the pump body from the plant pipes.

Reduced energy consumption

The hydraulic design is optimized to obtain the maximum efficiency which reduces the energy consumption of the system.

Maximum reliability

Impellers are hydraulically balanced with two replaceable wear rings to reduce axial bearing load. Pumps are designed and tested for silent operation and low vibration levels.

Multiple options

Available with permanent grease lubricated bearings (-GR), oil lubricated bearings with sight glass (-OB) and oil lubricated bearings with constant level oil feeder (-LC). All series are available with mechanical seal with different material combination options. SNE series is also available with gland packing and the special two halves flange Twinner System® to replace packing rings without disassembly the pump shaft support.

SNL, SNE and SNX series are the ideal solution for firefighting systems, industrial applications also with corrosive liquids, conditioning systems and seawater applications.

SNL、SNE、SNX系列泵符合EN733标准（DIN 24255）规范，机械密封符合EN 12756标准（DIN 24960）规范。后拉式设计在进行液压部件维护时无需拆管道和泵体的情况下可进行液压部件的维护更换。

降低能耗

对液压设计进行了优化，以获得最大效率，降低了系统的能耗。

最大可靠性

叶轮通过两个可更换的耐磨环进行液压平衡，以减少轴向轴承载荷。泵的设计和测试是为了实现静音运行和低振动水平。

多种选项

可提供永久性油脂润滑轴承（-GR）、带观察窗的油润滑轴承（-OB）和带恒定油位供油器的油润滑轴（-LC）。所有系列均提供具有不同材料组合选项的机械密封。SNE系列还提供填料密封盒和特殊的两半法兰Twiner System®，无需拆卸泵轴支架即可更换填料环。

SNL、SNE和SNX系列泵是消防系统、工业应用以及腐蚀性液体、空调系统和海水应用的理想解决方案。



A powerful team in the world

Since 1952 Rovatti Pompe manufactures, develops and distributes centrifugal pumps for submersible and surface installations constantly asserting itself as a global leader.

The wide range of centrifugal pumps produced, the well-established experience in the field and the continuous production quality improvement summarize the potential fielded by the Company.

While an active research and development program focuses on technological innovations and environmental impact, the design of new production processes, the development of advanced technical solutions and the use of new materials allow the Company to steadily improve the efficiency, reliability and maintenance of all products.

The value of the employees finally complete the driving force behind the entire Rovatti group.

世界上强大的团队

自1952年以来，Rovatti Pompe一直致力于制造、开发和销售潜水泵、深井泵、地面泵，不断成为全球领导者。

生产的离心泵种类繁多，在该领域积累了丰富的经验，不断提高生产质量，总结了公司在该领域的潜力。

质量和创新代表了Rovatti Pompe所有选择的精神，虽然积极的研发计划侧重于技术创新和对环境的影响，但新生产工艺的设计、先进技术解决方案的开发和新材料的使用使公司能够稳步提高所有产品的效率、可靠性和维护性。

员工的价值构成整个Rovatti集团背后的驱动力。

HEADQUARTERS



2000 DIVISION



IPERSOM DIVISION



HEADQUARTERS:

42042 FABBRICO (REGGIO EMILIA)
ITALY
Tel +39 0522 66 50 00
Fax +39 0522 66 50 20
info@rovatti.it
www.rovatti.it

2000 DIVISION:

42047 ROLO (REGGIO EMILIA)
ITALY
Tel +39 0522 66 72 17 / 0522 66 72 25
Fax +39 0522 66 09 79
info@rovatti.it
www.rovatti.it

IPERSOM DIVISION:

42042 FABBRICO (REGGIO EMILIA)
ITALY
Tel +39 0522 66 08 15
Fax +39 0522 66 02 70
info@rovatti.it
www.rovatti.it

苏州罗瓦迪水泵有限公司

中国江苏省太仓市娄江北路8号B06
邮编: 215400
电话: +86(0)512 - 53375308
传真: +86(0)512 - 53375301
info@rovatti.cn
www.rovatti.cn

SUZHOU ROVATTI PUMPS CO., LTD
Loujiang North Road, 8 ,B06 - 215400
Taicang Economic Development Area
Jiangsu Province - China
Tel: +86 (0) 512 - 53375308
Fax: +86 (0) 512 - 53375301
info@rovatti.cn
www.rovatti.cn

